

# POS

## SCALE ASSEMBLY GUIDE

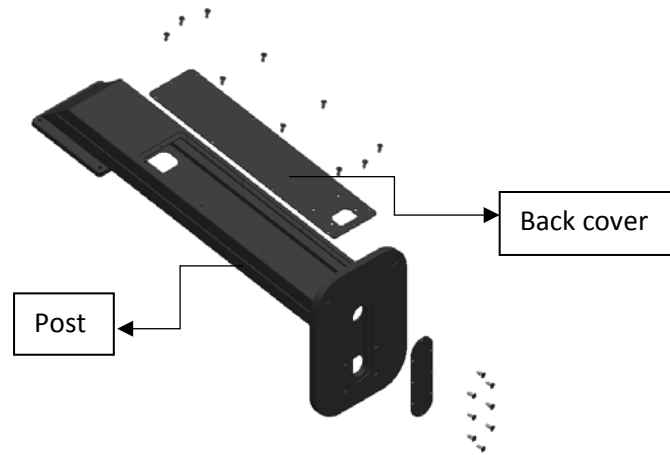
[www.posterazi.com](http://www.posterazi.com)





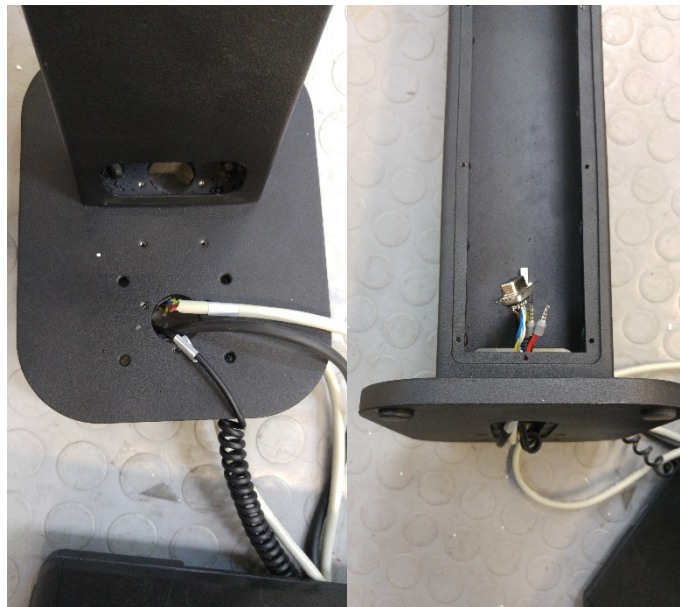
## 1. Cabling & Assembly

First if all, unscrew the screws on the post as shown in the picture **(Picture 1)**

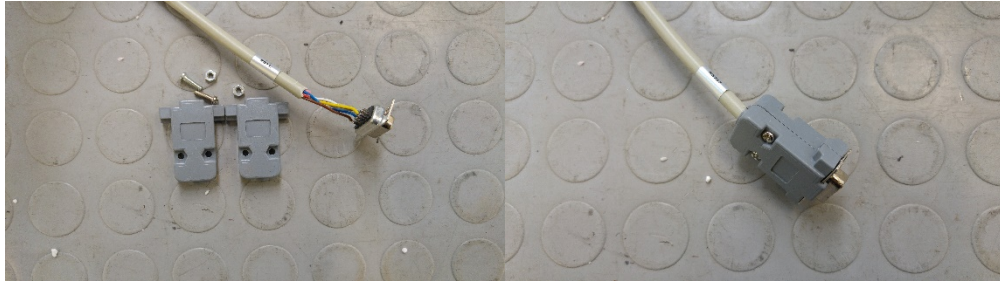


**(Picture.1)**

Insert the RS232, printer power 220V and the USB cables as shown in the picture **(Picture 2)**

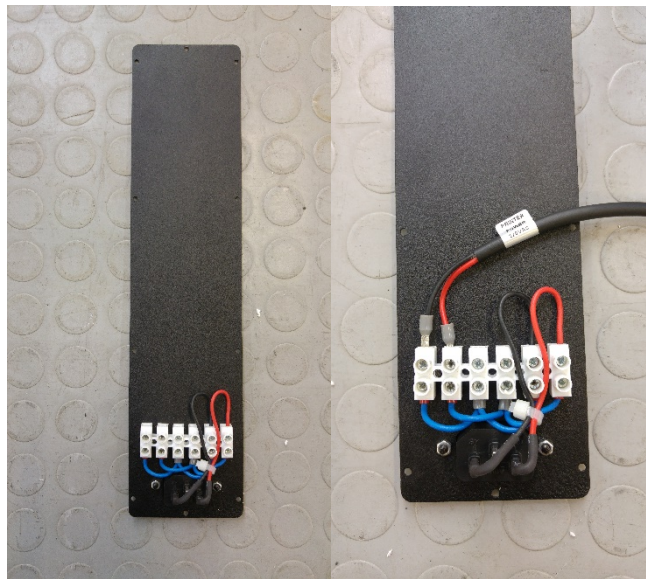


**(Picture.2)**



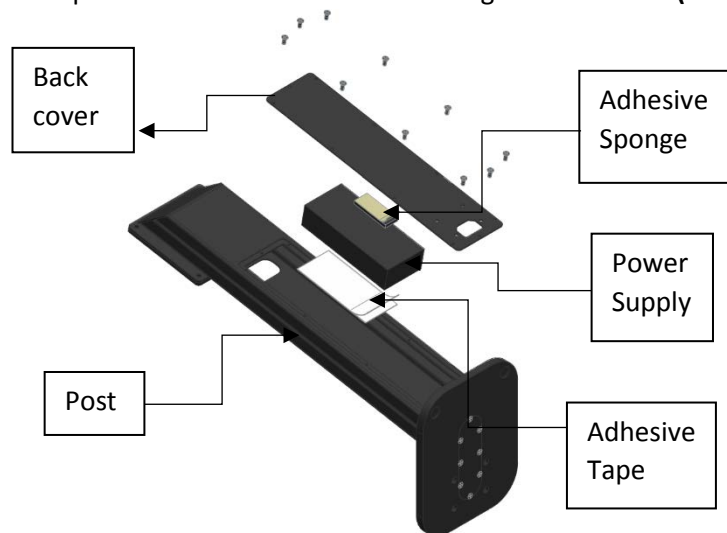
**(Picture.3)**

Connect the RS232 cable to the connector as shown in the picture. **(Picture 3)**



**(Pictures.4)**

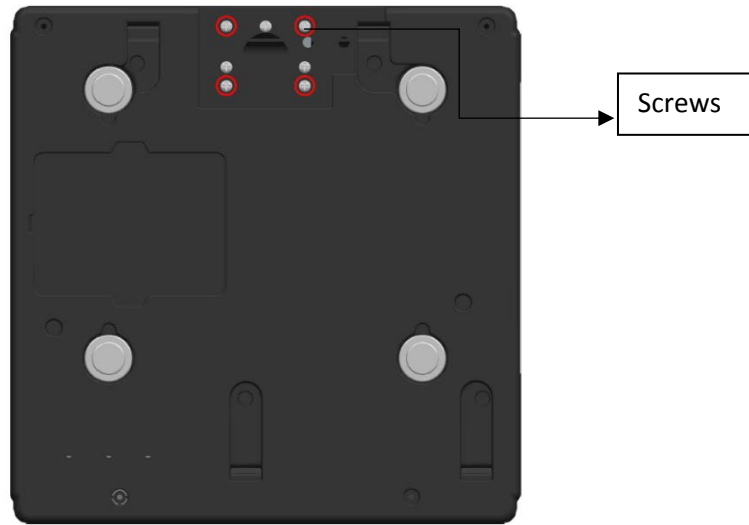
Connect the 220V printer power cable to the connector using a screwdriver. **(Picture.4)**



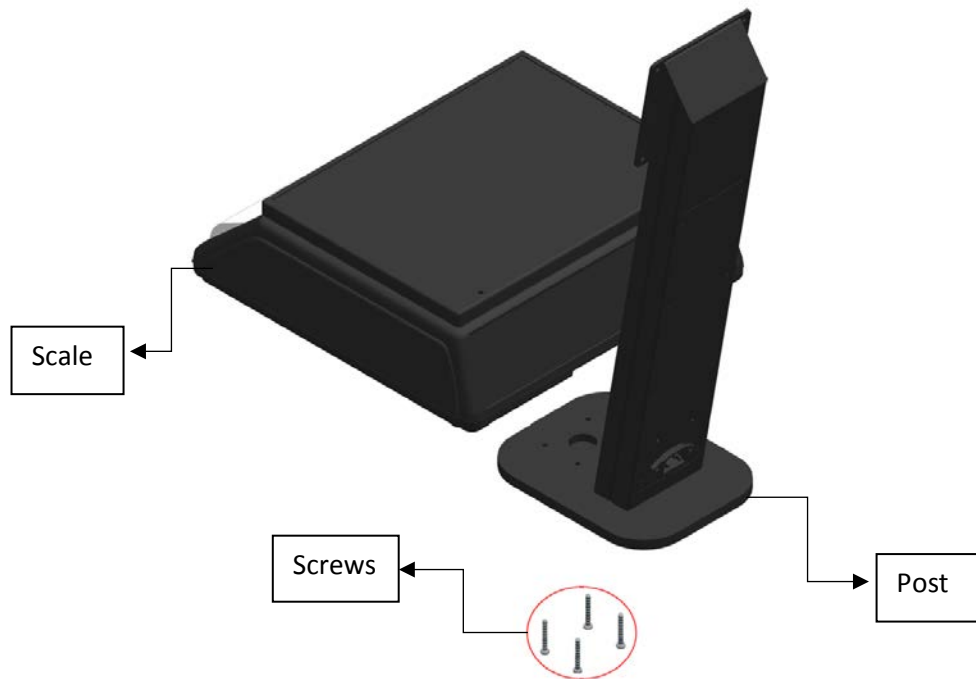
**(Picture.5)**

Power supply must be attached to the post using an adhesive tape. Then a adhesive sponge must be attached on the power supply. Later, mount the protecting cover using 10 black screws must be on the appropriate holes. **(Picture.5)**

## 2. All In One Assembly

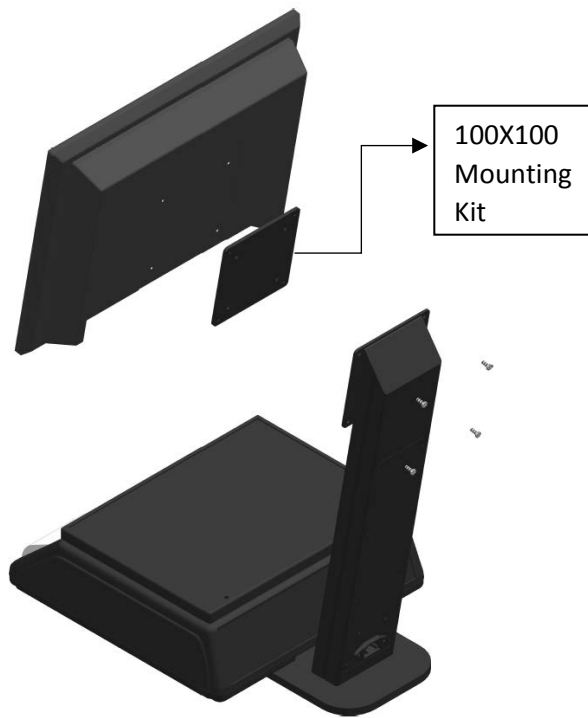


(Picture.6)



(Picture.7)

Unscrew 4 screws from the bottom of the scale, then using the same screws, attach the post to the scale. **(Pictures 6 & 7)**



**(Picture 8)**

Using the 100x100 mounting kit, mount the post to All-In-One POS . **(Picture 8)**